

CAT 6A SHIELDED TOOL LESS KEYSTONE JACK



DESCRIPTION

Datacom Cat6A STP jacks are full shielded with a rugged cast-encased rear, utilizing an innovative tool-free termination. The zinc-alloy cap is designed to open horizontally, which allows you to save force while crimping the jack. The screened keystone jack features a mechanical design to optimize the NEXT value when the ethernet jack is measured on both ends by certification test equipment. Datacom Cat 6A shielded keystone Jack Module is designed to terminate 4-pair, 23-26 AWG twisted pair shielded cable. Each jack module is 100% factory tested to exceed industry standard performance requirements. Jacks are ETL certified, and FORCE verified. Shielded 4PPoE keystone jack is a high-quality RJ45 female connector. It can deliver power up to 100W and data up to 10Gig. Each keystone jack has a compact casing that will fit into any standard-sized faceplate, blank patch panels, surface boxes and outlet boxes.

APPLICATION

- Horizontal Distribution and Backbone Cabling.
- 4/16 Mbps Token Ring (IEEE 802.5).
- 10/100/1000/10G BASE-T (IEEE 802.3).
- 155/622 Mbps ATM
- 100 Mbps TP-PMD.
- Analogue Voice, ISDN, ADSL.
- HVAC alarm systems and other signaling.

STANDARDS COMPLIANCE

- ANSI/TIA-568.2-D
- IEC 60603-7, IEC 60512-99-002.
- IEC 60512-99-002.
- ISO/IEC 11801-1 Class E/Ea
- IEEE 802.3bt Type 4 PoE++ (4PPoE)
- RoHS/REACH
- ANSI/TIA-1096-A

FEATURES

- Fully Shielded body reduces EMI/RF interference.
- Tool-free design requires no punch-down tool.
- 50-micron gold-plated contacts.
- Universal color-coding according to T568A and T568B.
- The termination of the shielded modular jack only takes 90 Seconds.
- Compatible with a wide range of international faceplates.
- Component level 3P certified.
- Category identification on the front side of the jack.
- Cat6A STP keystone jacks in shuttered and non-shuttered types.
- The IP20 shutter requires no extra dust cover for protection.
- It increases the efficiency of cabling installation.

DESIGN CONSIDERATIONS

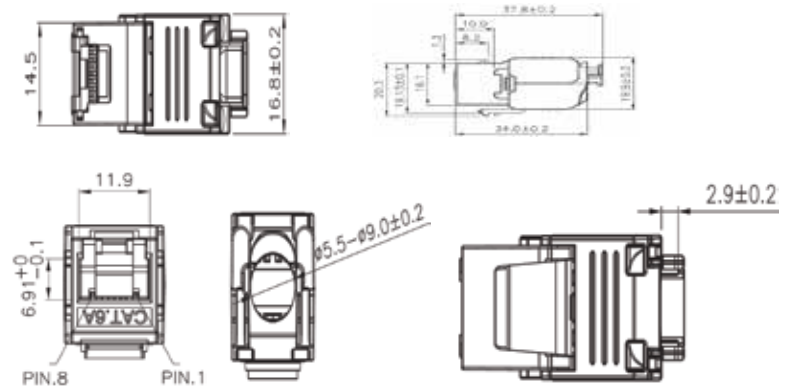
- Use Datacom Cat 6A STP Plugs, Cat 6A patch panels, and Cat 6A patch cords to support 10 Gigabit Ethernet performance

CAT 6A SHIELDED TOOL LESS KEYSTONE JACK

CONSTRUCTION DETAILS	
Mechanical Properties	
Termination Punch downs, minimum	20 Times
Plug Insertion Life, minimum	750 cycles min
Plug Retention, Force minimum	≤ 30 N
Pull Force	7.7 kg between Jack and Plug
Environmental specifications	
Operating Temperature	-10°C To 60°C
Storage Temperature	-40°C to 70°C
Safety Standard	UL1863
Electrical Characteristics	
Modular Jack-(Jack Pin)	60 VDC ,1A
110 Contacts (IDC PIN)	60 VDC ,1A
Current Rating	1.5A @20°C
Contact Resistance Variation	20 m Ohm
Voltage Proof, contact-to-shield	1500Vdc, for 60s
Voltage Proof, contact-to-contact	1000Vdc, for 60s
Insulation Resistance, minimum	500 MΩ
Insulation Resistance, minimum	IEEE802.3bt TYPE 4 PoE++ (4PPoE) 100W
Safety Voltage Rating	150 V (UL 1863)

CONSTRUCTION DETAILS	
Body Material	Housing: Zinc die-casting with Nickel Plated
Dust-Cap Color	White
Contact Base Material	Phosphor Bronze with Nickel plated
Contact Plating Material	50 micro-inch gold Plated on plug contact area
Contact Material Type	Phosphor Bronze
Termination Contact Plating	Gold
Contact Plating Thickness	50Micro-inch
Compatible Gauge solid	23-26AWG
Insulation Displacement Contacts	Phosphor bronze with Tin Plating
Insulation Displacement Contacts' Cap	PC, UL94V-2, White color
Insulation Displacement Housing	PC, UL94V-2, Grey color
IDC Color	White
Cable OD range	5.0mm - 8.5mm

TECHNICAL DRAWINGS



ORDERING INFORMATION

Description

Datacom Cat 6A Shielded 180° Keystone Jack Shutterd Tool Less

Part No.

DC-MJRJ-C6A-SH