

CAT 6A U/UTP KEYSTONE JACK



DESCRIPTION

Datcom Cat.6A keystone jacks for 22 to 26-gauge stranded and solid cables meet the international standard ISO/IEC 11801 and the ANSI/TIA-568.2-D requirements. The keystone jacks are available in 2 main variations 90 degrees and 180 degrees. This helps to achieve easy installation in various commercial buildings and data centers. Each keystone jack has a compact casing that will fit into any standard-sized faceplate, blank patch panels, surface boxes and outlet boxes

APPLICATION

- Horizontal Distribution and Backbone Cabling.
- 4/16 Mbps Token Ring (IEEE 802.5).
- 10/100/1000/10G BASE-T (IEEE 802.3).
- 155/622 Mbps & 1.2 GB ATM.
- Analogue Voice, ISDN, ADS.
- Analogue Voice, ISDN, ADSL.
- HVAC alarm systems and other signaling.

DESIGN CONSIDERATIONS

- Use with Datacom Cat 6A UTP Plugs, Cat 6A patch panels, and Cat 6A patch cords to support 10 Gigabit Ethernet performance.

STANDARDS COMPLIANCE

- ANSI/TIA-568.2-D
- IEC 60603-7
- IEC 60512-99-002.
- ISO/IEC 11801-1 Class E/Ea
- IEEE 802.3bt Type 4 PoE++ (4PPoE)
- RoHS/REACH
- ANSI/TIA-1096-A

FEATURES

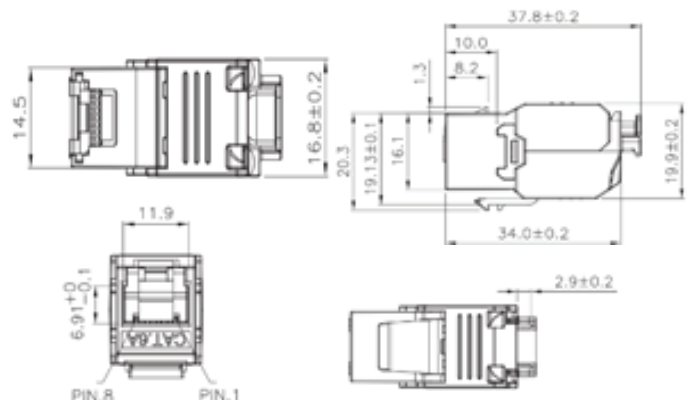
- 50-Micron Gold Plated Contacts.
- Tool-less jack design.
- Universal color-coding according to T568A and T568B.
- IDC Contacts that Allow Re-Termination For Wiring Changes without Damaging the Unit
- Mounts in faceplates or patch panels
- Component level 3P certified.
- Category identification on the front side of the jack.
- Compatible with a Wide Range of International Face Plates.

CAT 6A U/UTP KEYSTONE JACK

TECHNICAL SPECIFICATIONS		
Mechanical Properties		
	CAT6 90°	CAT6 180°
Termination Punch downs, minimum	20 Times	20 Times
Plug Insertion Life, minimum	1000 cycles min	1000 cycles min
Plug Retention, Force minimum	≤ 20 N	≤ 20 N
Pull Force	7.7 kg between Jack and Plug	7.7 kg between Jack and Plug
Environmental specifications		
Operating Temperature	-10°C To 60°C	-10°C To 60°C
Storage Temperature	-40°C To 70°C	-40°C To 70°C
Safety Standard	UL1863	UL1863
Flammability Rating	UL94-v0	UL94-v0
Electrical Characteristics		
Modular Jack- (Jack Pin)	60 VDC, 1A	60 VDC, 1A
110 Contacts (IDC PIN)	60 VDC, 1A	60 VDC, 1A
Current Rating	1.5A @20°C	1.5A @20°C
Contact Resistance Variation, maximum	20m Ohm	20 m Ohm
Voltage Proof, contact-to-contact	1000Vdc, for 60s	1000Vdc, for 60s
Insulation Resistance, minimum	500 MΩ	500 MΩ
Safety Voltage Rating	150 V (UL 1863)	150 V (UL 1863)

CONSTRUCTION DETAILS		
	CAT6 90°	CAT6 180°
Body Material	Housing : ABS+PC, UL 94-VO	Housing : ABS+PC, UL 94-VO,
Body color	Black	Black
Contact Base Material	Phosphor Bronze with Nickel plated	Phosphor Bronze with Nickel plated
Contact Plating Material	Gold plated on contact area	Gold plated on contact area
Contact Material Type	Phosphor Bronze	Polycarbonate
Termination Contact Plating	Gold	Gold
Thickness	50Micro-inch	50Micro-inch
Compatible Gauge solid	22-24 AWG	23-26 AWG
Insulation Displacement Contacts	Phosphor bronze with Nickel plating	Phosphor bronze with tin plating
Insulation Displacement Contacts' Cap	PC, UL94V-2, White color	PC, UL94V-2, White color
Insulation Displacement Housing	PC, UL94V-2, Grey color	PC, UL94V-2, Grey color
IDC Color	Black and White	Grey
Cable OD range	5.0mm–8.5mm	5.0mm–8.5mm

TECHNICAL DRAWINGS



ORDERING INFORMATION

Description

Datacom Cat6A UTP 90° Keystone Jack ToolLess -Black

Datacom Cat6A UTP 180° Keystone Jack Shuttered Tool Less-Black

Part No.

DC-MJKJ-C6A-BK

DC-MJRJ-C6A-BK