

CAT6A SHIELDED FIELD TERMINATION PLUG



DESCRIPTION

Datacom Cat6A Shielded Tool Free Short Field Term Plug RJ45 Connector 8P8C Modular Plug Providing outstanding network cabling performance and meeting the 4PPoE (IEEE 802.3bt) requirements, the Cat6A shielded tool free short connector is designed to terminate with Cat6A cables and to be applied in cloud data centers. With the unique Short Body design, the high speed ethernet connector is suitable for easy and fast installation in a high-density cabinet or a limited space. The Screw-Fit boot is compatible with cables OD from 6.5 mm to 9.5 mm. An IP20 rated dust cover will be included as a part of the plug. The dust protection cap protects the RJ-45 contacts during installation and when the connector is not in use.

APPLICATION

- IP Camera.
- Wireless Access Point
- IOT Controllers
- Ceiling Mount IP Devices
- Digital Lighting

STANDARDS COMPLIANCE

- CE
- RoHS
- REACH
- IEC 60603-7-71
- ISO/IEC 11801-1:2017-11
- EN 50173-1:2018-10
- TIA-568-D.2:2018-09PoE / PoE + (IEEE 802.3af / IEEE 802.3at)

FEATURES

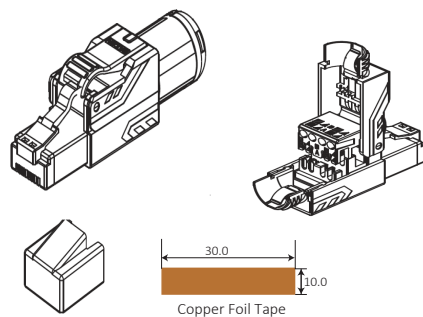
- Contact Pins (conductors) Material: phospho bronze with 100 micro inches nickel plated.
- Gold Plating Thickness: 50 micro inches
- Height of 8P8C Contact Pins: 6.02 mm \pm 0.13mm
- Housing Material: zinc die-casting with nickel plated
- Housing Color: silver
- Cable OD Range: 6.5 to 8.0 mm or 8.0 to 9.5 mm (2 types of plug boots).
- Cable Compatibility: 22 to 26 AWG solid and stranded cables.
- Operating Temperature: -10°C to 60°C (14°F to 140°F).

CAT6A SHIELDED FIELD TERMINATION PLUG

TECHNICAL SPECIFICATIONS

Contact Base Material	Phosphor Bronze
Contact Mating Area Planting Material	50 Micro-Inch Gold Plated
Cover Material	Zinc Die-Casting With Nickel plated
Wire Managemnt Bar	PC , UL 94-V2,White Color
Terminal	Copper with tin Plated
Grounding Contact	Copper with nickel Plated
Dust Cap	PE, Balck
Mating and un-Mating Force	Max.30N
Retetion strength	7.7 KG between jack & Plug
Wire Conductor Range	Solid and stranded 22-26AWG
Cable O.D range	5.5 -7.75mm
IDC re installing Cycles	20 Cycles
Life (Mating Cycles)	750 cycles
Operating temperature	-10°C to +60°C
Weight	25 g
Width	14.1 mm
Height	31.2 mm
Depht incl. lock	65.2 mm

TECHNICAL DRAWINGS



ORDERING INFORMATION

Description

Datacom Cat6A Shielded Field Terminable Plug Tool less Straight Angled

Part No.

DC-FTP-C6ASA