

DOME CLOSURE 144F IP68 RATED HEAT SHRINK SEALING



DESCRIPTION

Datacom Heat Shrink Sealing type Closure is specially designed to provide reliable and long-lasting protection for optical fibers and splices, combined with maximum ease of installation and maintenance. The closure is made of glass-filled polypropylene, which can make sure long time service. Heat shrink seal for cable ports, excellent sealing performance.

APPLICATION

- Direct buried
- Aerial
- Pole
- Pipeline,
- Manhole etc..

STANDARDS COMPLIANCE

- ROHS

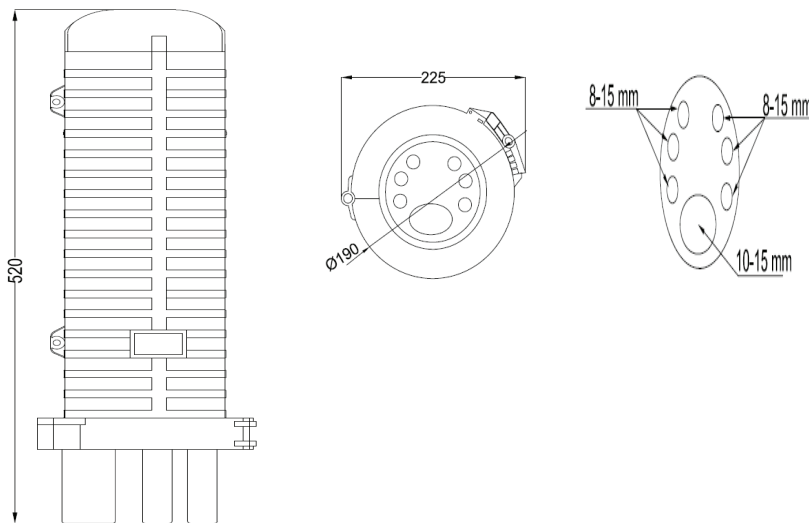
FEATURES

- Cable diameter: 1 Uncut port meet $\phi 10 \sim 15$ mm cable; 6 branch ports meet $\phi 8 \sim 15$ mm cable.
- Suitable for direct buried, aerial, pole, pipeline, manhole, etc.
- Heat shrink seal is adopted for cable ports, with a protection grade of IP68.
- Easy installation with no special tool required.
- Single fiber max capacity is up to 144F, also supports max 432F ribbon fiber.
- Fiber capacity from 36Fiber to 144Fiber. Same single part number for 24F to 144F range.

DOME CLOSURE 144F IP68 RATED HEAT SHRINK SEALING

CONSTRUCTION			
Style		Dome	
Dimensions(mm)		525 × Ø225	
Weight (kg)		3.6 - 4.2	
Material		The compound of Polypropylene with glass fibers	
Sealing Type		Heat shrink seal	
Protection Grade		IP68	
Cable ports	Oval port	1	Ø10 – Ø 15 mm
	Branch port	6	Ø 8 – Ø 15mm
Closure Max Capacity		144F	
Splice Tray Capacity		36F	
Max No. tray installed		4PC	
Installation		Aerial, wall, pole, manhole, pedestal etc.	
Additional Mounting Accessories		Wall Mount & Pole Mount	

TECHNICAL DRAWINGS



ORDERING INFORMATION

Description

Datacom Dome Closure IP68 Rated 144F With Splice
Trays Heat Shrink Sealings

Part No.

DC-JCDM144F-HS